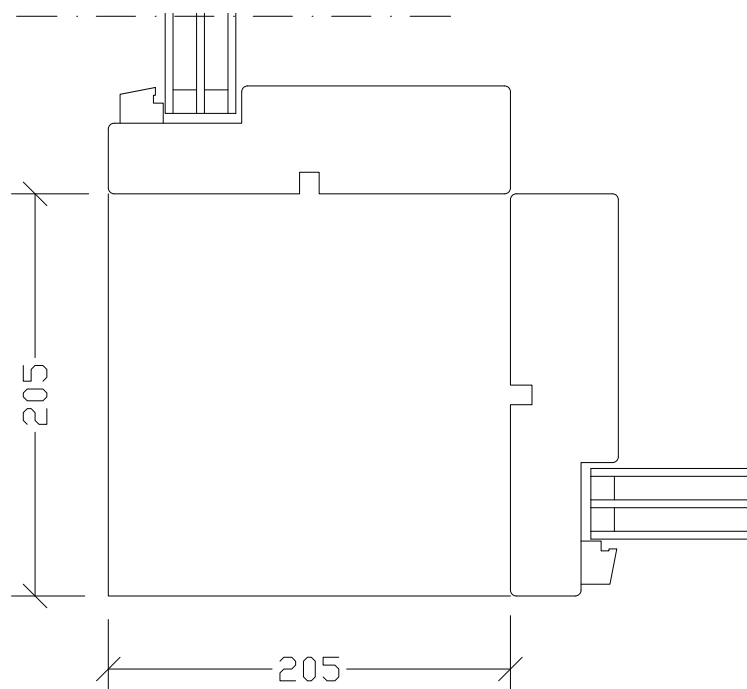
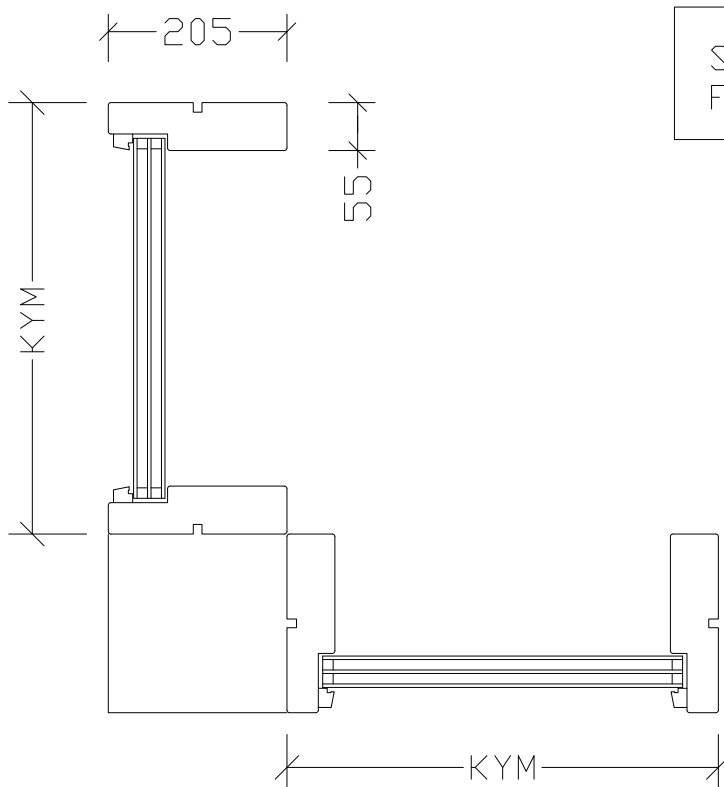


Rev	Description	Rev. by	Date
A	LOGGA	CJ	260223



STOLPE INGÅR EJ  
FRÅN HAJOM.

We reserve all rights in this document and in the information contained therein. Reproduction, use or disclosure to third parties without express authority is strictly forbidden. INWIDD



Product Category		Product Type		
UTVÄNDIGT HÖRN 205-KÄRM SNITTRITNING		Designed by	Designed date	View orientation
		CJ	240226	
		Approved by	Approved date	Scale
		Drawing Number		Revision
		85-37-H01		A