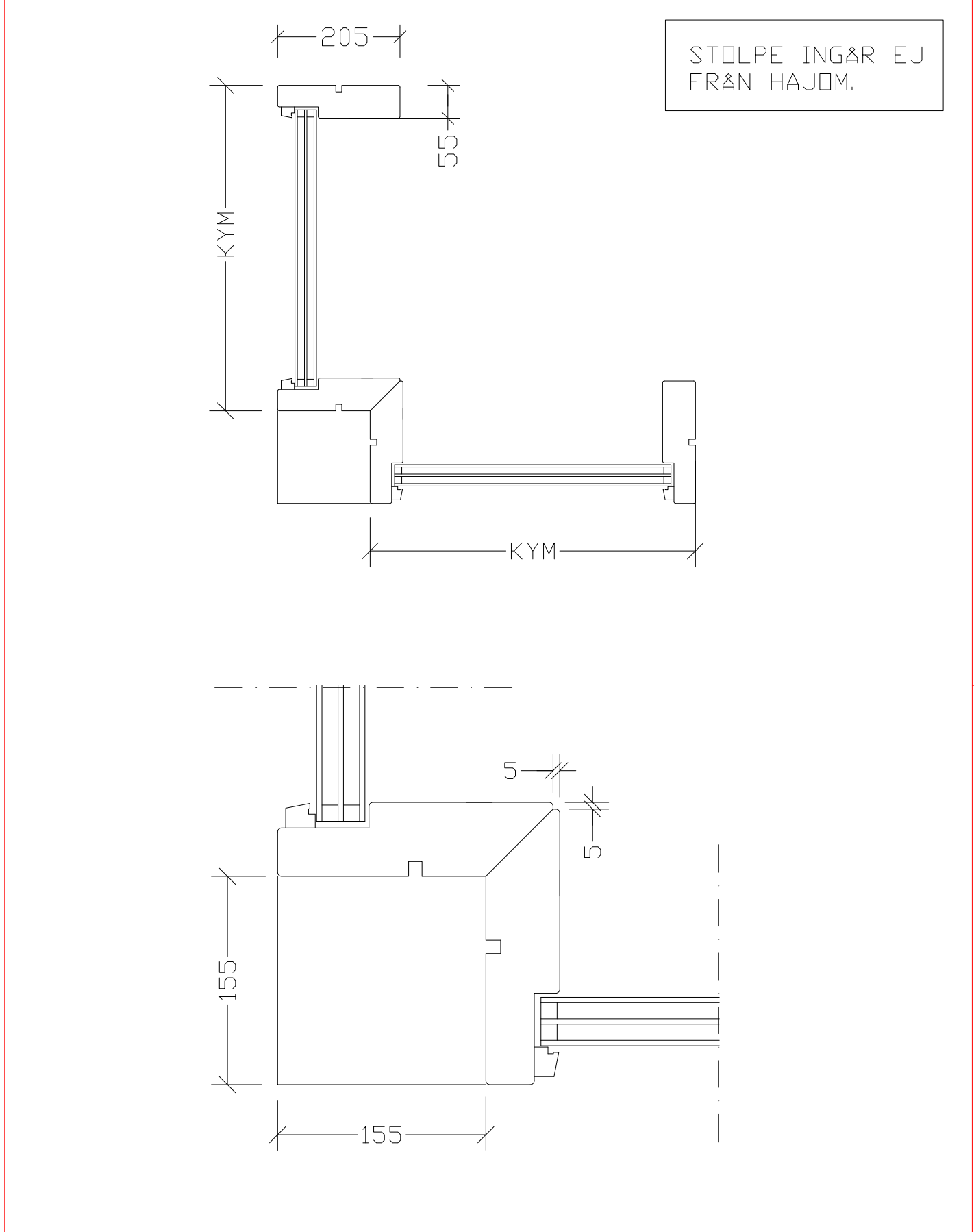


We reserve all rights in this document and in the information contained therein. Reproduction, use or disclosure to third parties without express authority is strictly forbidden. INWIDD

Rev	Description	Rev. by	Date
-----	-------------	---------	------



	Product Category		Product Type		
	GERAT HÖRN 205-KARM SNITTRITNING		Designed by	Designed date	View orientation
			Approved by	Approved date	
	Drawing Number			Revision	
85-37-H03			A		