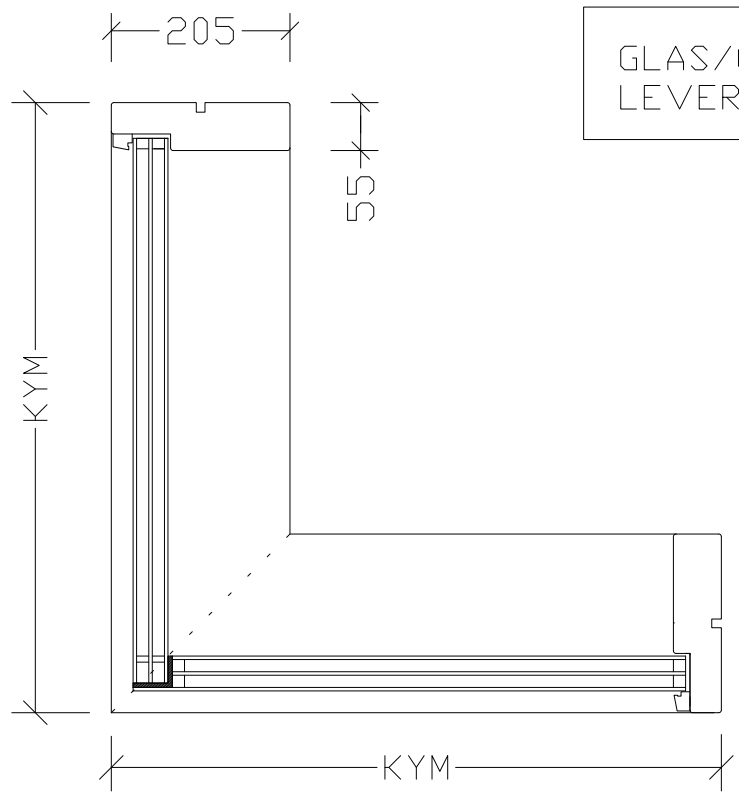
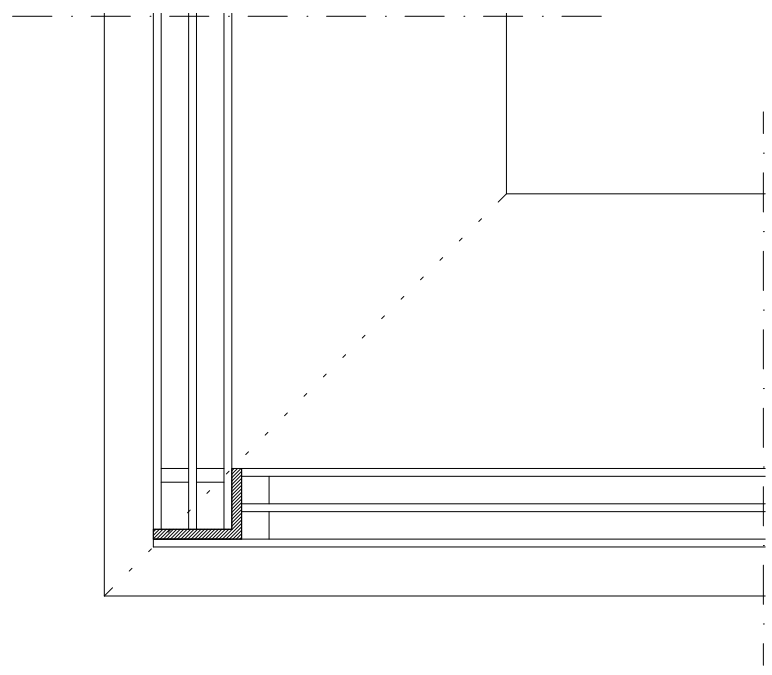


We reserve all rights in this document and in the information contained therein. Reproduction, use or disclosure to third parties without express authority is strictly forbidden. INWIDD

Rev	Description	Rev. by	Date
A	LOGGA OCH ANDRAT NAMN TILL GLAS/GLAS-HÖRN	CJ	260223



GLAS/GLAS-HÖRN
LEVERERAS OGLASADE



Product Category
GLAS/GLAS-HÖRN 205-KARM
SNITTRITNING

Product Type		View orientation
Designed by CJ	Designed date 240226	
Approved by	Approved date	Scale
Drawing Number 85-37-H04		Revision A