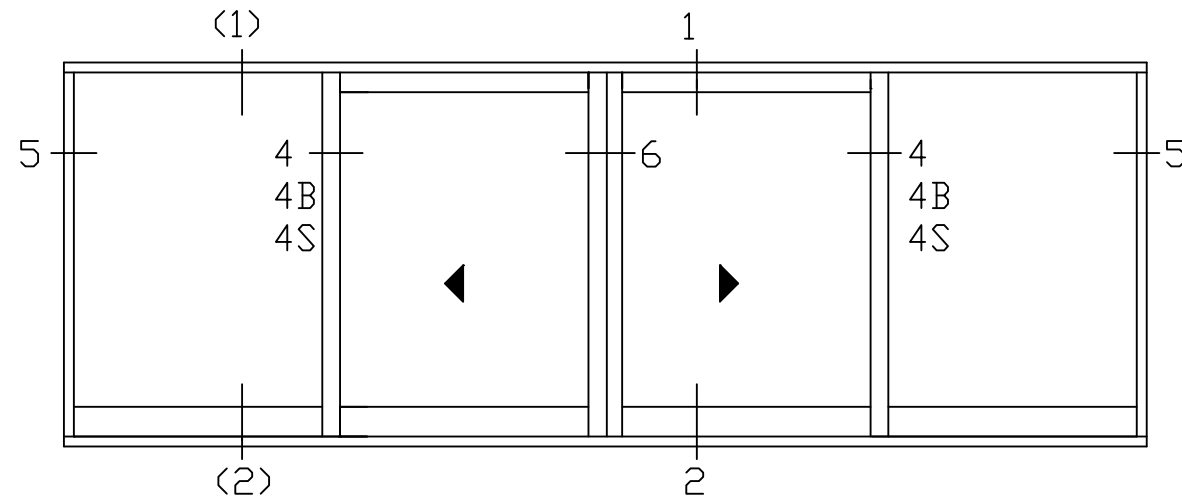
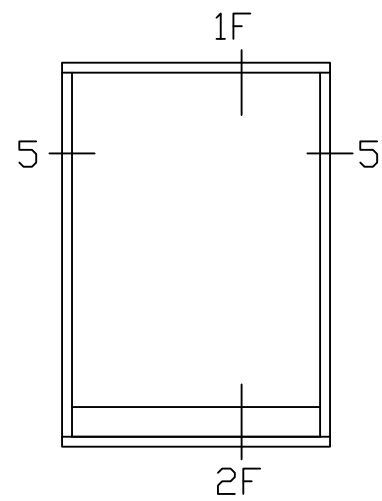


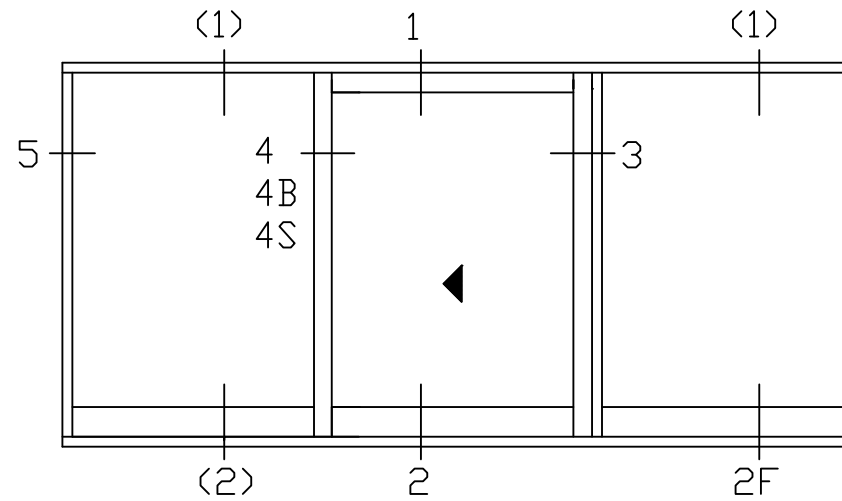
Typ A



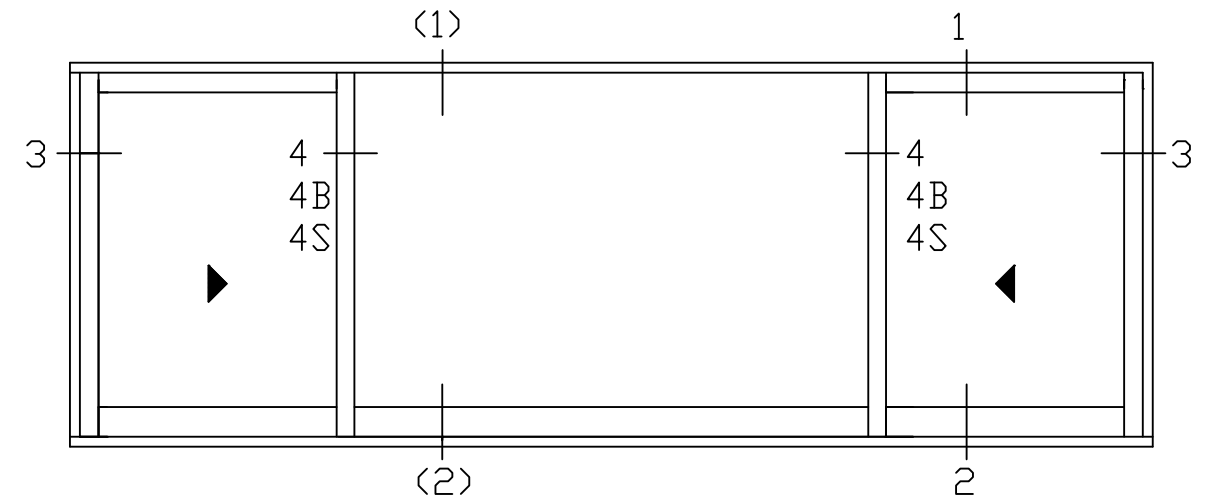
Typ C




Typ F



Typ G



Typ M

Rev.	Descr.	Rev. date.	Rev. by.
-	-	-	-
			Page. 1/1
Product group. HAJOM SKJUTDÖRRAR AB		Product CLASSIC	
Scale. -		-	
Drawn by. THERESE LARSSON		Date. 2021-09-03	Ver. -
		Drawing No. 85-36-HC1	